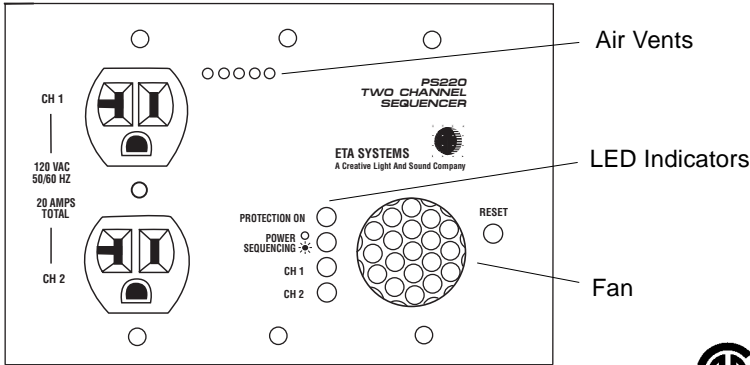


OWNER'S MANUAL

PS220

SEQUENCING, 2-CHANNEL

REMOTE-CONTROL FLUSH-MOUNT WALL OUTLET



PS220: 3-gang outlet box, 67.3 cu.in.
New construction outlet box



PS220 SPECIAL FEATURES:

- Power 120 VAC 50/60Hz, 20 amps total current available, and 2400 watts total power.
- Sequences 2 outlets - CH 1 and CH 2
- Programmable delay between CH 1 and CH 2 turn off of 1, 5, 10 and 30 seconds
- Remotely turn "ON" or "OFF" the outlets. A remote LED indicator can be used to show the PS220 activity
- Daisy chain capabilities using a communications port
- Manual reset of the microprocessor
- Spike and surge protection on all three legs of incoming 120V 50/60Hz, single-phase electrical power
- Surge protection is active when the green (PROTECTION ON) LED is lit.
- Certified to UL1472 and CSA C22.2 No.184.1 standards

SEQUENCING: When activated, the PS220 CH1 outlet turns "ON", then CH2 outlet turns "ON". When deactivated the PS220 CH2 turns "OFF", then CH1 turns "OFF."

DELAY: A 1, 5, 10 or 30 second time-delay is available between CH1 and CH 2, when turning "ON" or "OFF." To adjust time delays, place the jumper on J100 to the appropriate location. See diagram below.

RESET: Use the push button switch for resetting the unit's microprocessor. The Green "POWER ON" LED goes off for 1 second during a manual rest. Use the recommended screwdriver to depress the reset button.

UNIT OPERATION: A Green "POWER ON" LED will indicate when power is present to the unit. (The Green "POWER ON" LED will go off for 1 second during power up, to indicate the microprocessor is ready.) Green "POWER ON" LED will flash while the unit is sequencing on or off, or when another sequencer that is daisy chained in line is sequencing on or off. The two Red CH 1 and CH 2 LED indicators will light when CH1 or CH2 of the receptacle is turned on.

DAISY CHAIN: The PS220 is daisy chained to any other PS220 or 4-channel ETA sequencing unit.

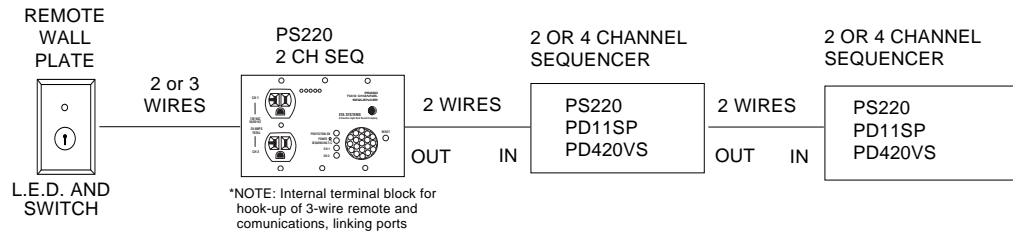
Master Unit: connection to the outputs only (terminals 6 & 7). This output connection is then connected to an input of another ETA sequencing unit.

Slave Unit: connection to the inputs only (terminals 4 & 5). This input connection comes from the output of another ETA sequencing unit.

In-line Unit: this unit has connections to both input and output.

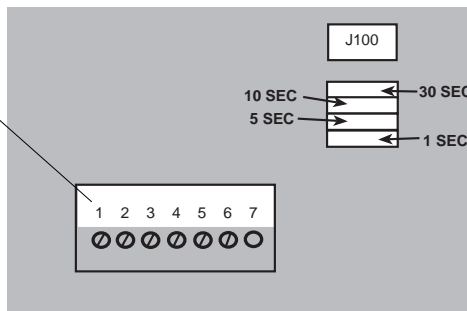
Note: the above-mentioned input and output connections can be connected without regard to polarity.

PS220 SEQUENCER BASE RELAY INSTALLATION OPTION



TERMINAL BLOCK CONNECTION

1. Switch (+)
2. Switch & LED (-) Common
3. LED (+) Indicator
4. Input
5. Input
6. Output
7. Output



This is the PC board located inside insulating barrier
1PCB-086
You can change the delay by moving the jumper at J100.

Using the recommended wire, connect to the terminal block using one of the following two options.
Recommended Wire: Size 24-22 GA
Max. Wire Length 1000 FT.
Screw Torque: .5-.6 Nm
Screwdriver: Flatblade .6 x 3.5 x 100mm

REMOTE LED INDICATOR: This can be used with remote switch as a remote unit activity indicator. A flashing LED indicates the unit is actively sequencing. When the LED is on constant the unit is completely "ON" or "OFF." To use this feature the (-) negative short lead of the LEDs is connected to terminal 2, and the (+) positive long lead of the LED is connected to terminal 3.

One of the two options must be used in order for the outlet to operate!

1. Connect a SPST / NO / Latching switch to terminals 1 & 2. Closed contact turns outlets on. Open contact turns outlets off.
2. Connect the output from any ETA sequencing unit to the input terminals 4 & 5.

ADDITIONAL CONNECTIONS should be made at this time. These connections may include the LED indicator, input and/or output for daisy chaining.

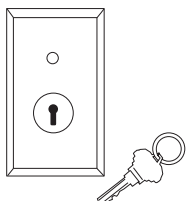
FINAL CONNECTION: Connect the PS220's flying wire leads to the wires inside the outlet box. Green is Ground, Black is Hot, and White is Neutral. Minimum 12 gauge wire.

"CAUTION"
REMOVE ALL POWER BEFORE INSTALLING OR SERVICING THE UNIT

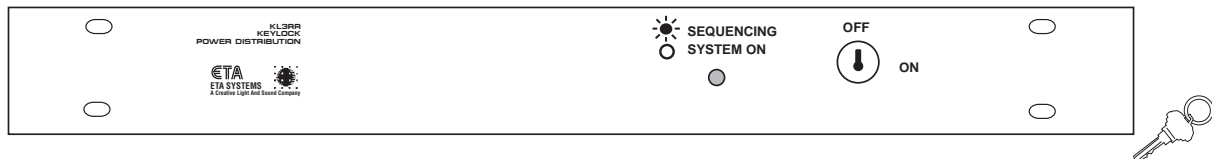
"CAUTION"
THESE INSTRUCTIONS ARE FOR USE BY QUALIFIED PERSONNEL ONLY. TO REDUCE THE RISK OF ELECTRICAL SHOCK, DO NOT PERFORM ANY INSTALLATION OR SERVICING OTHER THAN THAT CONTAINED IN THE OWNERS MANUAL UNLESS YOU ARE QUALIFIED TO DO SO.

"ATTENTION"
THIS DEVICE IS TO BE INSTALLED BY DESIGN INTO A WALL WITH AN OUTLET BOX. FOR PROPER FIT, A 3-GANG OUTLET BOX IS REQUIRED WITH THE MINIMUM SIZE OF 67.3 CU. IN.

"CAUTION"
THE INSULATING BARRIER PROTECTING PS220 COMPONENTS MUST BE USED WHEN INSTALLING THE PS220. PLACE THE OUTLET WITH THE INSULATING BARRIER INTO THE OUTLET BOX AND SCREW THE COVER PLATE AND THE INSULATION BARRIER TO THE OUTLET BOX BEFORE APPLYING POWER TO THE UNIT.



KL3R
1-Gang Profile



KL3RR
Standard 19" Rack-Mounted Version

**Thank you for choosing
ETA Systems Power Distribution**

Drawing upon our 25 years of solving high-amperage lighting needs and listening to customers' concerns, we have developed a most extensive line of Audio Conditioned Power Distribution. As the problems inherent with AC power increase, you will find ETA providing solutions.

Telephone or e-mail us requesting a Full Line Brochure

ETA[®] SYSTEMS

A Creative Light & Sound Company

1532 Enterprise Parkway • Twinsburg, Ohio 44087 USA
330-425-3388 • 800-321-6699 • Fax: 330-425-9700
<http://www.etasys.com> E-mail eta@etasys.com

